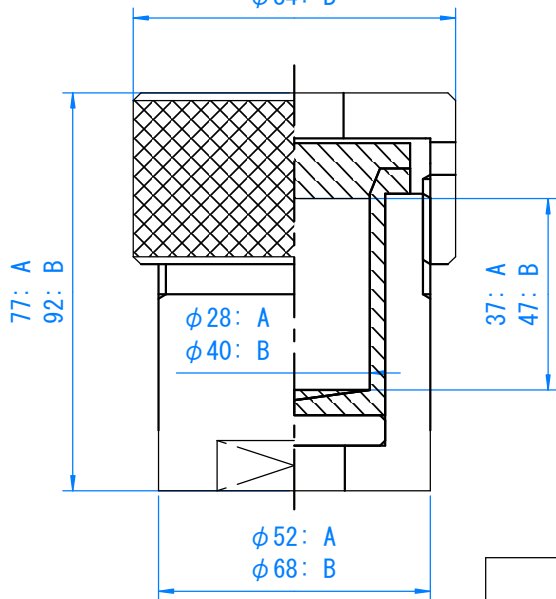


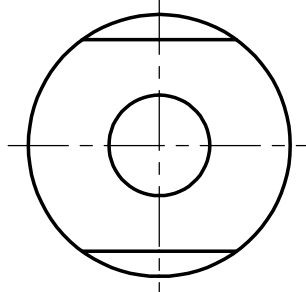
φ64: A
φ84: B



P-25 Taper flat bottomed: A
P-70 Flat bottom: B

Material
Outer cylinder: Polypropylene
Inner cylinder: PTFE

[mm]



 三愛科学株式会社

TITLE

Model P-25 / P-70
Seald Decomposition Vessel for microwave oven

SIZE	CAGE CODE	DWG NO	REV
A4			

08. 2023

SCALE	SHEET